

IWAKI
MAGNETIC
DRIVE
PUMPS

MDM



Magnetic drive process pump resistant to dry run damage

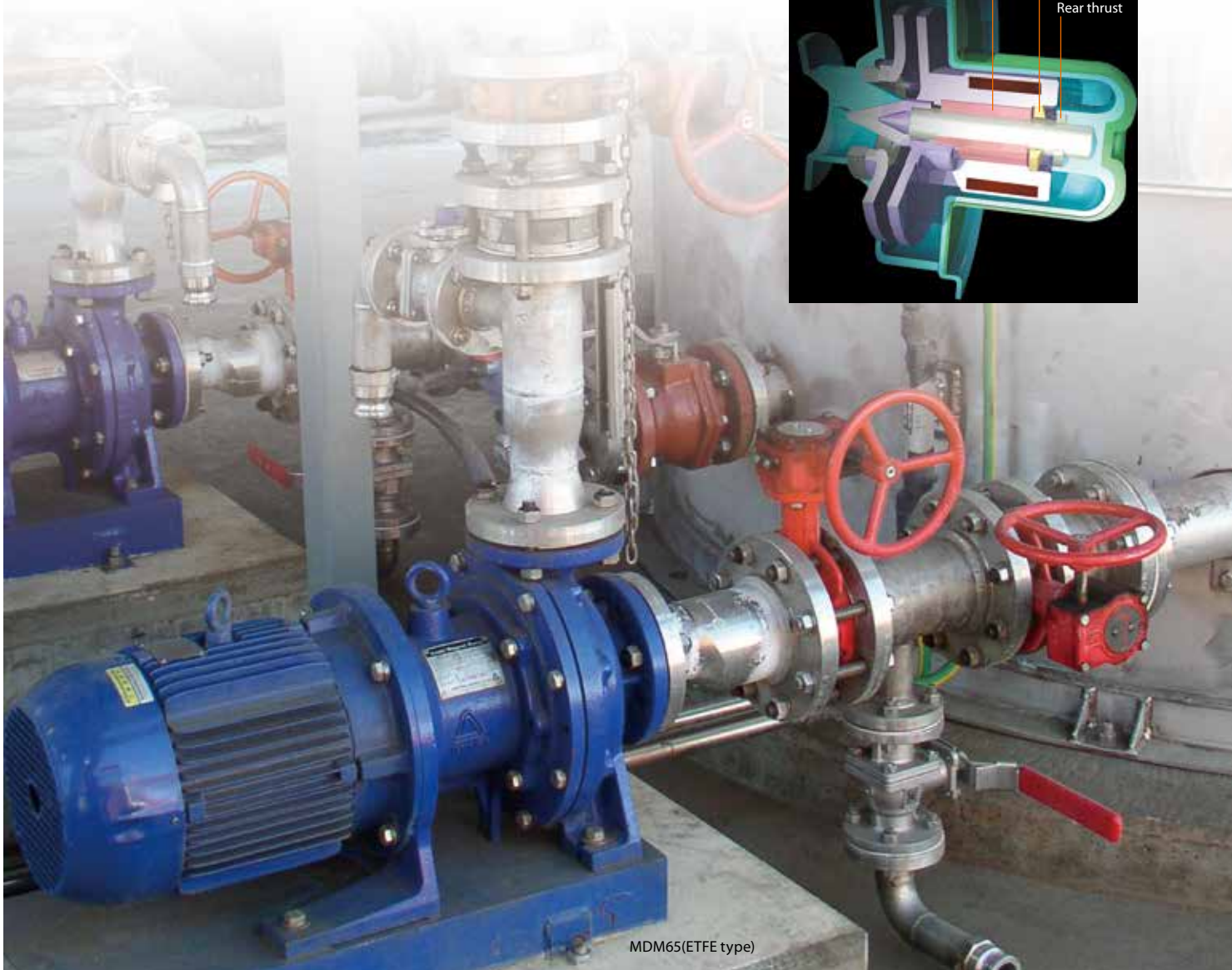
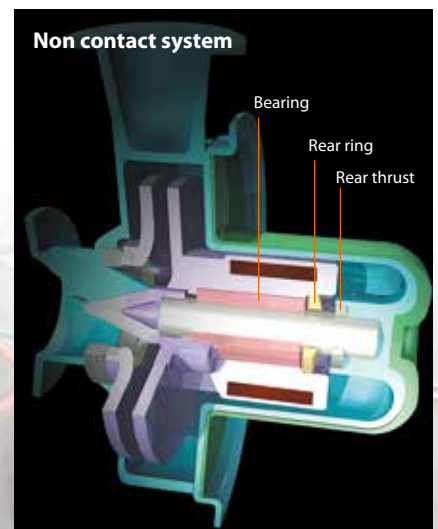
The MDM Series of Magnetic drive process pumps have wetted parts made of fluoro-resin. Natural PFA and CFRETFE being standard materials of construction. The MDM features a unique mechanism which gives a greatly improved performance against dry running (Non contact system). Applications cover a wide range of chemical process duties from acid to alkali together with high purity chemicals for the semiconductor industry.

Unique design prevents dry running

(Non contact system) (PAT.)

The pump design features a mechanism to withstand dry running. High magnet power of the rare earth magnets prevents the magnet capsule coming into contact with the thrust ring of the rear casing, thus preventing melting of fluoro-resin components due to heat generation. This greatly improves resistance against dry running in comparison with conventional magnetic drive pumps made of fluoro-resin.

Note: Only CF type (fitted with high density carbon bearing) can cope with dry running. Dry running is not permitted in the case of KK type.



MDM65(ETFE type)

ETFE and PFA available in standard models

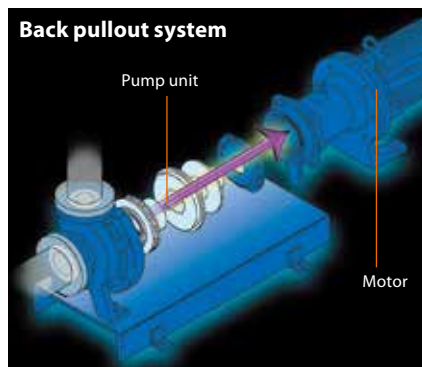
Carbon fibre reinforced CFRETFE and PFA linings can be supplied to meet many varying duties. PFA being a natural unfilled material generates fewer contaminants and makes it ideally suited for transfer of high purity chemicals.

Highly durable structure

A ductile cast iron shell adds strength and durability to the outer peripheral surfaces of the fluoro resin pump module. The rear casing which is placed under the highest stress is protected by a rear casing cover made from fibre reinforced plastic. This gives sufficient strength and eliminates the eddy current loss caused by the rotating magnetic field. Should it come into contact with the drive magnet unit, no spark would be generated and a high level of safety would be maintained.

Back pullout system

In order to facilitate inspection and maintenance, this series employs the back pullout system. This enables one to conduct inspections internally and replace parts without removing piping. The pump is designed to include safety measures that can prevent the liquid from leaking when the foot support is pulled back.



Now available high head models

High head models MDM25-3 and MDM40-2 now join MDM Series which is favoured as fluoroplastic made process magnet drive pump. The models obtain 74 meters head (50Hz), 107 meters head (60Hz) to expand the application.

Compliance with JIS standards

The pump with a common base complies with JIS Standards in regard to piping connection.

Note 1: For compatibility in size with other series of our magnet pumps, please call us.
 Note 2: ANSI and ISO standards are also available.
 For details, please call us.

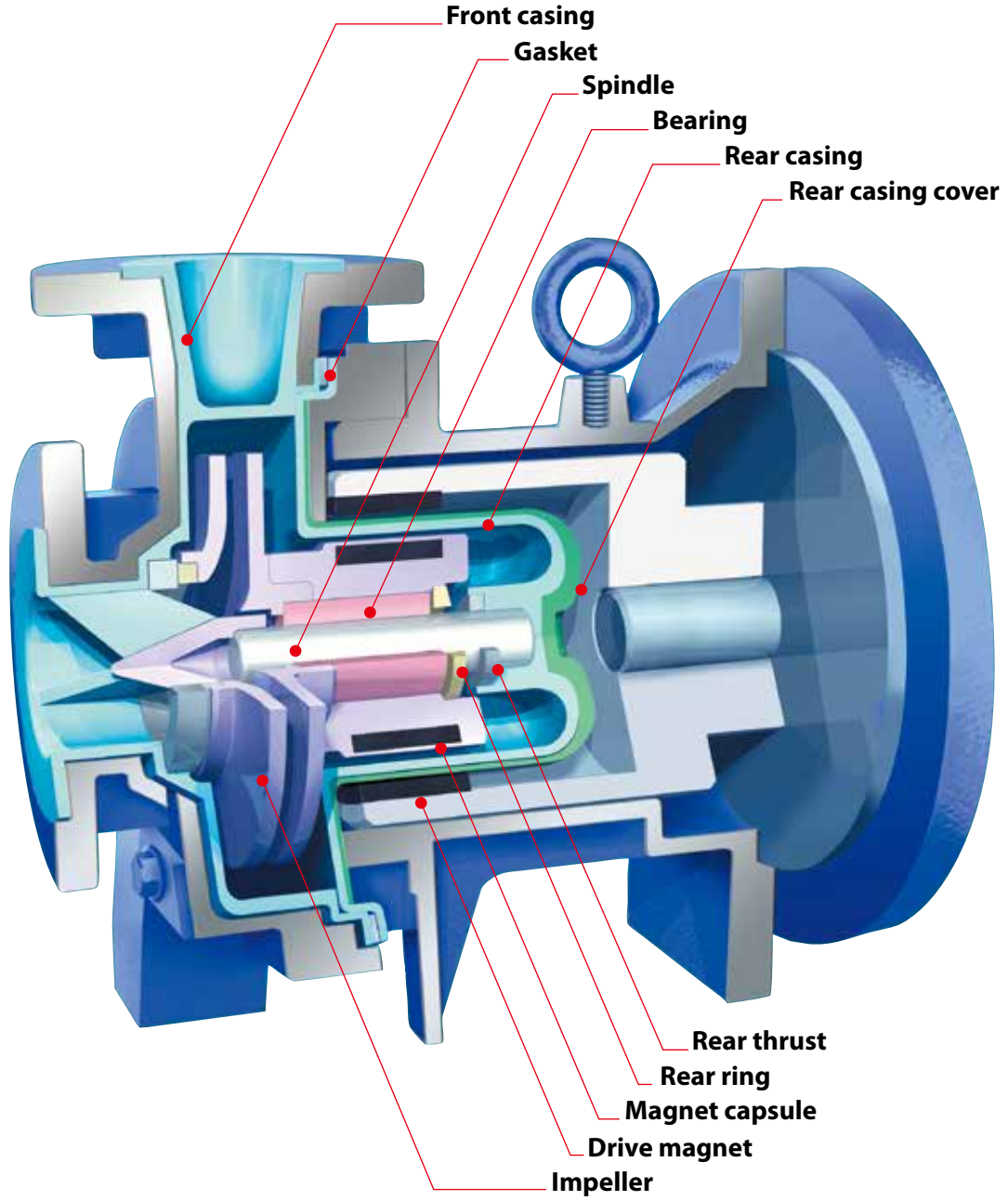


MDM25(PFA type)



MDM65(CFRETFE type)

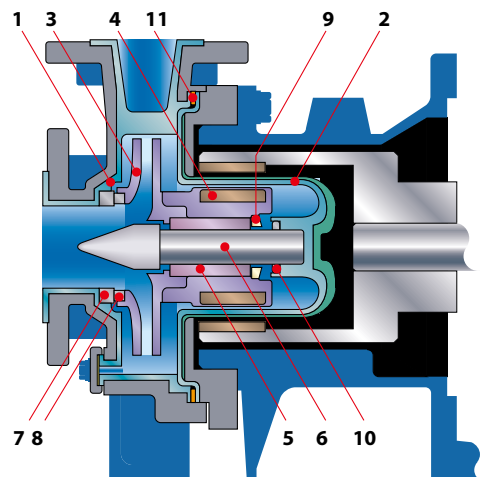
Construction



Wet-end materials

Materials	ECF	EKK	PKK/NKK
1 Front casing	CFRETFE	SiC	SiC
2 Rear casing ^(Note 1)			
3 Impeller			
4 Magnet capsule	High density carbon	SiC	PTFE
5 Bearing			
6 Spindle	High purity alumina ceramic	PTFE (with filler)	PTFE
7 Liner ring	PTFE (with filler)		
8 Mouth ring	High purity alumina ceramic		
9 Rear ring	PTFE (with filler)		
10 Rear thrust			
11 Gasket	PTFE		

Note1: Rear casing support is used on MDM25-3 and MDM40-2 for applications over 80°C (PAT).



Front casing CFRETFE type

A moulding made of carbon fibre reinforced CFRETFE. It has both a high mechanical strength and excellent corrosion resistance. The outer peripheral surfaces are reinforced by a ductile cast iron outer casing in order to achieve excellent strength and durability.



ETFE type

Front casing PFA type

Natural PFA fluoro resin is adapted as wetted parts. This construction is free from contamination and ideal for transfer of clean liquids or with less particle generation.



PFA type

Impeller

Closed type impellers are designed to give high efficiency. To ensure positive fixing of impeller to magnet capsule a spline system together with a pin fixing is employed. This prevents the impeller from moving axially off the magnet capsule (PAT PEND.). MDM25 and 40 models now have impellers capable of reaching max. heads of 74 meters (50Hz), 107 meters (60Hz) to widen the range of application.



CFRETFE type



PFA type

**Rear casing
Rear casing cover**

The fluoro resin rear casing is strengthened by the outer rear casing cover which is manufactured in fibre reinforced plastic capable of withstanding a pressure of 1 MPa. This structure also eliminates any eddy current losses due to a rotating magnetic field. It also prevents sparks from being produced should the rear casing come into contact with the drive magnet unit.

A newly developed triple-layer casing (PAT.) is used for the high head models MDM25-3 and 40-2 when liquid temperature exceeds 80°C. This new design allows a rated 1.6MPa casing pressure overall temperature range. Since the front and rear casings are bolted together from the front casing side, liquid does not leak out when the foot support is pulled back.



PFA type with rear casing cover

Rear ring

To protect the pump against abnormal operation, such as cavitation or entrained air, where the magnet capsule could experience reverse axial thrust, a rear ring and rear thrust ring are used. The rear ring is designed to minimize heat generation compared to conventional designs. This prevents surrounding fluoro resin from melting. (PAT.)

Rear Thrust

The rear thrust withstands axial loads encountered from abnormal operation, it also minimizes heat generation.

Magnet capsule

High strength rare earth magnets are totally encapsulated with fluoro resin mouldings. Magnets are small and lightweight which increases the efficiency of the pump. Taking advantage of the high magnetic strength its new design of "Non contact system" was developed to protect pump from dry running. This enables us to offer pumps that will withstand dry running operation. (CF type only)



CFRETFE type



PFA type

Spindle

Both ends of the spindle are supported by the front casing and the rear casing (the fixed spindle type). There are two types of spindle; one is made of high purity alumina ceramic and the other made of SiC.



SiC type High purity alumina ceramic type

Bearing

Two standard bearing materials are available. SiC gives high resistance to abrasion. High density carbon withstands dry running operation. Bearings can be individually replaced.



SiC type High density carbon type

Gasket

A PTFE shrouded gasket is used to enhance sealing performance and corrosion resistance.

Specifications

2 pole motor type

Model	Pump size Suction X Discharge	50Hz			60Hz			Motor kW
		Impeller size	Capacity L/min	Head m	Impeller size	Capacity L/min	Head m	
MDM25-1 (Impeller range 1)	40A X 25A	165	100	35.5	140	100	36.0	1.5 or 2.2
		160		33.5	130		29.5	
		150		29.0	120		24.5	
		140		25.0	110		20.0	
		130		20.5	100		15.5	
		195		50.5	170		53.0	
MDM25-2 (Impeller range 2)	40A X 25A	190	100	47.5	160	100	47.0	3.7, 5.5 or 7.5
		180		42.5	150		40.5	
		170		37.0	140		35.0	
		160		32.5	130		29.0	
		225		74.0	225		107.0	
		220		69.0	220		102.5	
MDM25-3 (Impeller range 3)	40A X 25A	210	100	61.0	210	100	90.0	5.5, 7.5, 11, 15 or 18.5 (60Hz only)
		200		55.0	200		80.0	
		190		48.5	190		71.0	
		180		42.5	180		62.5	
		—		—	170		55.0	
		—		—	160		48.0	
MDM40-1 (Impeller range 1)	50A X 40A	165	208	35.0	145	250	38.0	3.7, 5.5 or 7.5
		160		32.5	140		34.5	
		150		28.5	130		29.0	
		140		25.0	120		24.0	
		130		20.5	110		19.5	
		120		17.0	—		—	
MDM40-2 (Impeller range 2)	50A X 40A	225	208	70.0	225	250	102.0	5.5, 7.5, 11, 15 or 18.5 (60Hz only)
		220		67.5	220		98.0	
		210		60.0	210		87.0	
		200		54.0	200		78.0	
		190		47.0	190		68.0	
		180		41.5	180		60.5	
MDM50-1	65A X 50A	165	417	33.0	160	500	44.5	3.7, 5.5 or 7.5
		160		31.0	150		38.0	
		150		27.0	140		33.0	
		140		22.5	130		27.0	
		130		18.0	120		21.5	
		120		15.0	110		18.5	
MDM65-1	80A X 65A	165	833	38.5	160	1000	51.0	5.5, 7.5, 11, 15 or 18.5(60Hz only)
		160		35.5	150		44.5	
		150		31.0	140		37.0	
		140		26.5	130		31.5	
		130		22.0	120		26.0	
		120		17.5	110		20.0	
110	13.5	—	—					

4 pole motor type

Model	Pump size Suction X Discharge	50Hz			60Hz			Motor kW
		Impeller size	Capacity L/min	Head m	Impeller size	Capacity L/min	Head m	
MDM25-1 (Impeller range 1)	40A X 25A	170	50	8.5	170	50	12.0	0.4, 0.75
MDM25-2 (Impeller range 2)	40A X 25A	200	50	12.0	200	50	18.5	1.5, 2.2, 3.7
MDM25-3 (Impeller range 3)	40A X 25A	225	50	17.0	225	50	24.0	1.5, 2.2, 3.7, 5.5
MDM40-1 (Impeller range 1)	50A X 40A	170	200	7.5	170	200	11.5	1.5, 2.2, 3.7
MDM40-2 (Impeller range 2)	50A X 40A	225	200	15.0	225	200	22.0	1.5, 2.2, 3.7, 5.5
MDM50-1	65A X 50A	170	300	7.0	170	300	11.5	1.5, 2.2, 3.7
MDM65-1	80A X 65A	170	500	8.0	170	500	13.0	1.5, 2.2, 3.7, 5.5

Common Specifications

• Temperature range of liquid handled	EKK/ECF: -20 to 105°C, PKK: -20 to 150°C ^{Note 1} , NKK: -20 to 120°C ^{Note 2}	• Standard motor	2 pole, 3-phase, TEFC, out door flange mount type
• Allowable slurry (KK type only)	Please contact us.	• Standard color of paint	Ultra marine blue RAL5002
• Allowable maximum pressure	1.0 MPa (MDM25-3 and MDM40-2 are 1.6 MPa)		

Note 1: Please contact us when handling liquid temperature is below 0°C or handling liquid temperature is higher than 120°C with PFA type.
 Note 2: Please contact us when handling liquid temperature is higher than 80°C with 65-1NKK type.

Pump identification

MDM 40 - 150 1 E KK F 075 J - D 2 H

Pump size (Suction X Discharge)
 25: 40A X 25A
 40: 50A X 40A
 50: 65A X 50A
 65: 80A X 65A

Impeller size
 100mm to 225mm

Impeller range
 1, 2, 3

Material of Bearing / Spindle
 KK: SiC/SiC
 CF: High density carbon/
 High purity alumina ceramic

Type of motor
 F: Flange motor

Standard for pipe connection and motor
 J: JIS flange + JIS motor
 A: ANSI flange + JIS motor
 I: ISO flange + IEC motor

Motor output
 004: 0.4kW(4P) 075: 7.5kW(2P)
 007: 0.75kW(4P) 110: 11kW(2P)
 015: 1.5kW 150: 15kW(2P)
 022: 2.2kW 185: 18.5kW(2P)
 037: 3.7kW (60Hz only)
 055: 5.5kW

Wet-end main material
 E: CFRETFE
 P: PFA
 N: PFA(MDM25-2, 40-1,50-1,65-1)

Special code
 H: 80 to 120°C
 (Applicable model:
 Flange motor type: MDM25-3, MDM40-2 only)
 T: 120 to 150°C(PKK type)

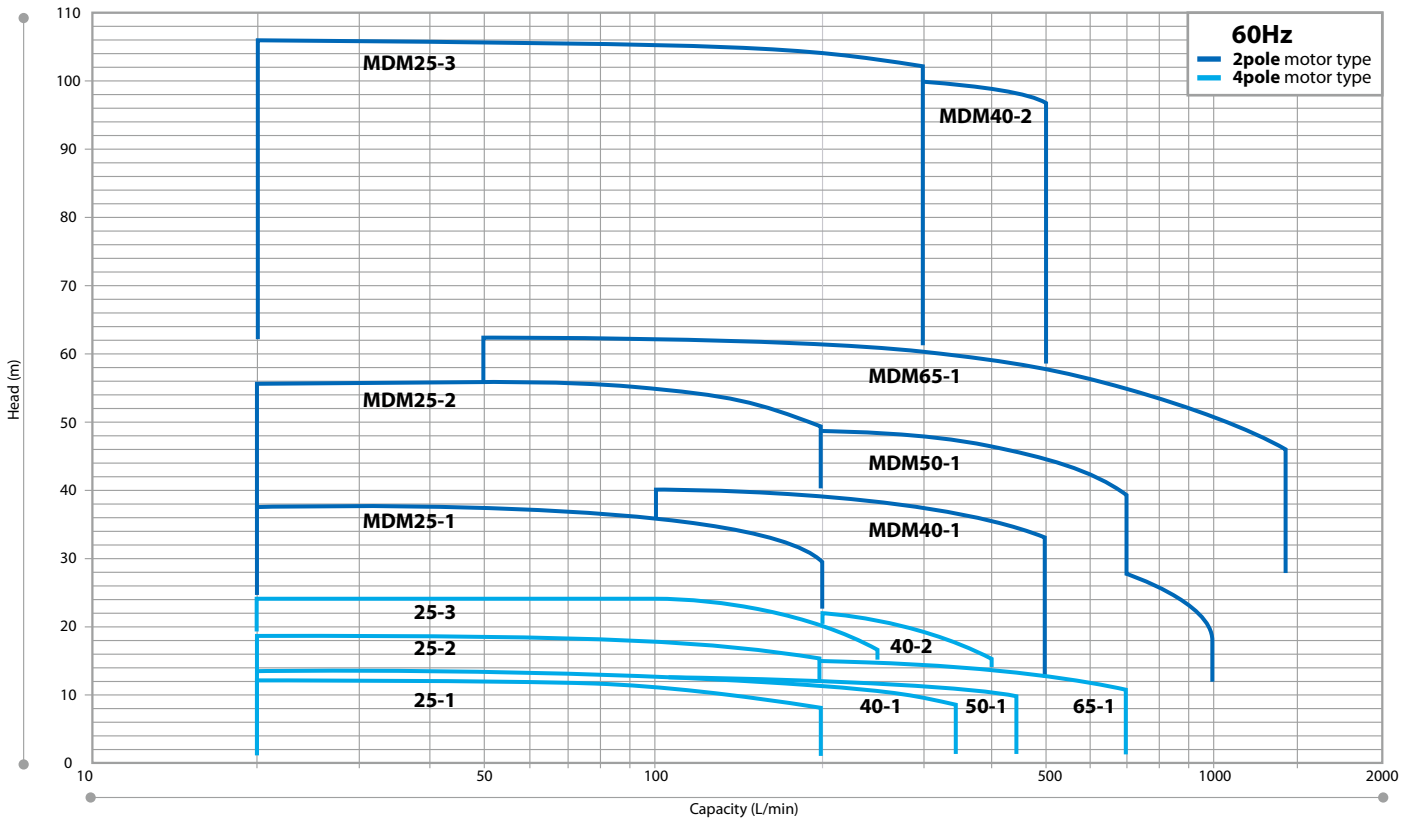
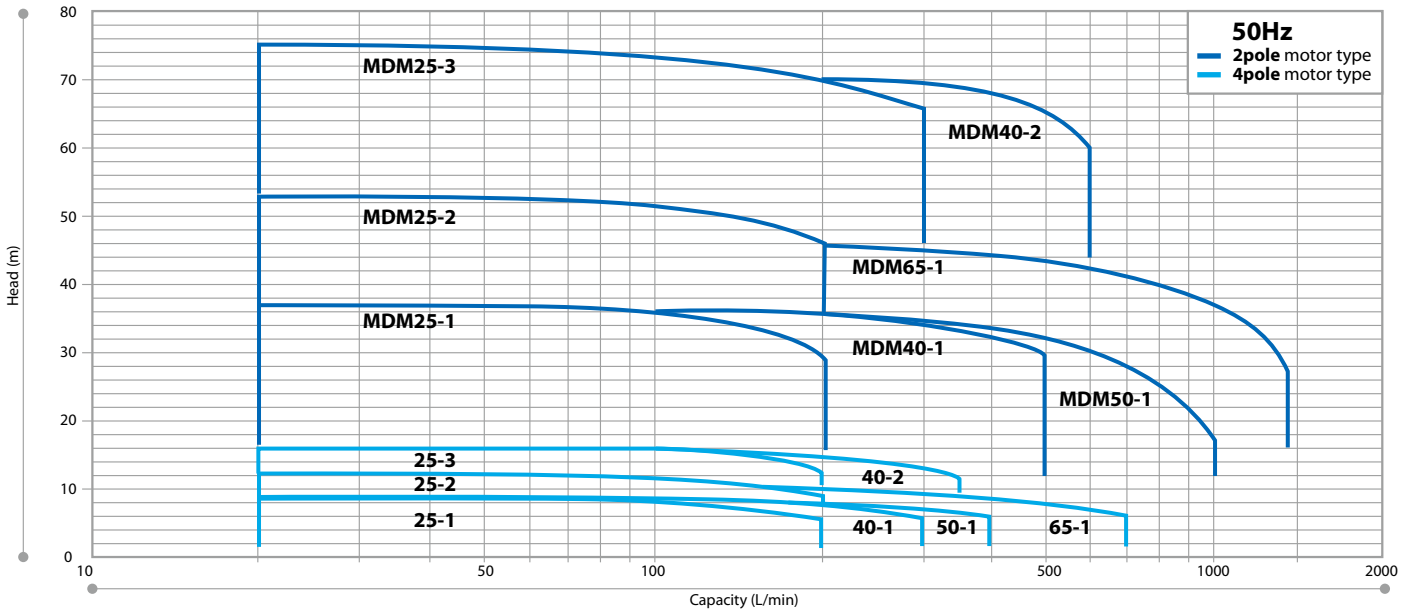
Motor pole
 2: 2 pole
 4: 4 pole

Special version

Mark	Drain	Base	Special version
A	Without drain	With base	Standard
S	Without drain		Special
D	Without drain		Standard
X	With drain	Without base	Special
B	Without drain		Standard
Y	Without drain		Special
E	With drain	Without base	Standard
Z	With drain		Special

Note: PFA type with drain includes an air vent.

Performance curves



Optional accessories

Iwaki pump protector DRN series

Detects unusual pump operating conditions including dry-running and overload

The DRN model protects equipment (including pumps) from damage!
 Minimizes production downtime.
 Identifies possible causes of alarms so they can be investigated and addressed.



- | | |
|--------------------|---|
| Multiple Input | Two analog, one digital, one temperature input and one current input |
| Easy operation | Equipped with EASY setup mode to remember the operation status and set the lower/upper limit values, as well as AUTO setup mode |
| Bar graph | Visible indication of current operating status |
| Logging capability | Data log feature for preventative maintenance scheduling |
| Communication | RS485 external communication capability |

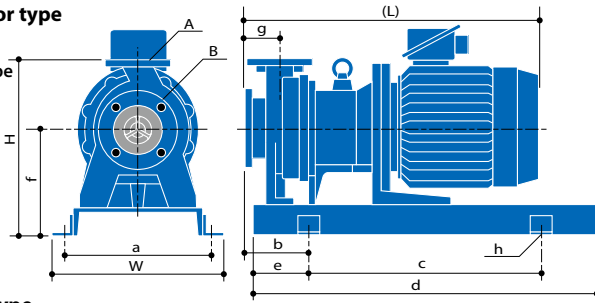
Specifications

Model	DRN-01	DRN-02
Amperometric range	0.5-30.00A	5.0-200.0A
Unit's source voltage	AC100-240V 50/60Hz 10VA	
Operating temperature	0-40°C	
Operating humidity	35-85%RH	

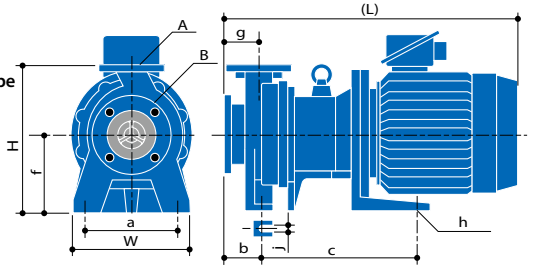
Dimensions

2 pole motor type

With base type



Without base type



Note: The dimensions may differ with the type of motor installed.

With base type

Model	Motor kW	(W)	(H)	(L)	a	b	c	d	e	f	g	h	A	B	Mass kg
MDM25-1	1.5	400	400	515	350	135	480	710	115	240	80	4×ø19	25	40	80
	2.2														
MDM25-2	3.7	400	430	625	350	150	540	800	130	250	80	4×ø19	25	40	120
	5.5			689											140
	7.5														
MDM25-3	5.5	400	415	711	350	172	540	800	130	250	102	4×ø19	25	40	145
	7.5														150
	11	480	485	864	430	192	600	900	150	320				215	
	18.5			886										235	
MDM40-1	3.7	400	410	625	350	150	540	800	130	250	80	4×ø19	40	50	115
	5.5			689											135
	7.5														
MDM40-2	5.5	400	430	689	350	150	540	800	130	250	80	4×ø19	40	50	150
	7.5														
	11	480	500	842	430	170	600	900	150	320				220	
	18.5			864										230	
MDM50-1	3.7	400	410	625	350	150	540	800	130	250	80	4×ø19	50	65	115
	5.5			689											135
	7.5														
MDM65-1	5.5	400	430	709	350	170	540	800	130	250	100	4×ø19	65	80	145
	7.5														
	11	480	500	862	430	190	600	900	150	320				220	
	18.5			884										230	

Without base type

Model	Motor kW	(W)	(H)	(L)	a	b	c	f	g	h	j	A	B	Mass kg
MDM25-1	1.5	180	310	515	130	100	150	150	80	2×ø15	15	25	40	55
	2.2													
MDM25-2	3.7	280	360	625	220	90	285	180	80	2×ø14	14	25	40	95
	5.5			689			365							110
	7.5													
MDM25-3	5.5	280	345	711	220	112	365	180	102	2×ø14	14	25	40	115
	7.5													
	11	395	864	450	230									120
	18.5													886
MDM40-1	3.7	280	340	625	220	90	285	180	80	2×ø14	14	40	50	90
	5.5			689			365							105
	7.5													
MDM40-2	5.5	280	360	689	220	90	365	180	80	2×ø14	14	40	50	120
	7.5													
	11	410	842	450	230									125
	18.5													864
MDM50-1	3.7	280	340	625	220	90	285	180	80	2×ø14	14	50	65	85
	5.5			689			365							105
	7.5													
MDM65-1	5.5	280	360	709	220	110	365	180	100	2×ø14	14	65	80	120
	7.5													
	11	410	862	450	230									165
	18.5													884

IWAKI CO., LTD. 6-6 Kanda-Sudacho 2-chome Chiyoda-ku Tokyo 101-8558 Japan TEL: (81)3 3254 2935 FAX: 3 3252 8892 IWAKI has global net work. Please find your distributor location at www.iwakipumps.jp

- | | | | |
|--|--|---|--|
| European office : IWAKI Europe GmbH
Germany : IWAKI Europe GmbH
Holland : IWAKI Europe GmbH (Netherlands Branch)
Italy : IWAKI Europe GmbH (Italy Branch)
Spain : IWAKI Europe GmbH (Spain Branch)
Belgium : IWAKI Belgium N.V.
Denmark : IWAKI Nordic A/S
Finland : IWAKI Suomi Oy
France : IWAKI France S.A.
Norway : IWAKI Norge AS
Sweden : IWAKI Sverige AB
U.K. : IWAKI Pumps (UK) Ltd. | TEL: (49)2154 9254 0 FAX: 2154 9254 48
TEL: (49)2154 9254 50 FAX: 2154 9254 55
TEL: (31)74 2420011 FAX: (49)2154 925448
TEL: (39)0444 371115 FAX: 0444 335350
TEL: (34)93 37 70 198 FAX: 93 47 40 991
TEL: (32)13 67 02 00 FAX: 13 67 20 30
TEL: (45)48 24 2345
TEL: (358)9 2745810
TEL: (33)1 69 63 33 70 FAX: 1 64 49 92 73
TEL: (47)23 38 49 00
TEL: (46)8 511 72900
TEL: (44)1743 231363 FAX: 1743 366507
()Country codes | U.S.A. : IWAKI America Inc.
Argentina : IWAKI America Inc. (Argentina Branch)
Brazil : IWAKI Do Brasil Comercio De Bombas Hidraulicas Ltda.
Singapore : IWAKI Singapore Pte Ltd.
Indonesia : IWAKI Singapore (Indonesia Office)
Malaysia : IWAKI Sdn. Bhd.
Australia : IWAKI Pumps Australia Pty Ltd.
Hong Kong : IWAKI Pumps Co., Ltd.
China : GFTZ IWAKI Engineering & Trading Co., Ltd.
: IWAKI Pumps (Shanghai) Co., Ltd.
Korea : IWAKI Korea Co., Ltd.
Taiwan : IWAKI Pumps Taiwan Co., Ltd.
Thailand : IWAKI (Thailand) Co., Ltd. | TEL: (1)508 429 1440 FAX: 508 429 1386
TEL: (54)11 4745 4116
TEL: (55)19 3244 5900 FAX: 19 3244 5900
TEL: (65)6316 2028 FAX: 6316 3221
TEL: (62)21 6906606 FAX: 21 6906612
TEL: (60)3 7803 8807 FAX: 3 7803 4800
TEL: (61)2 9899 2411 FAX: 2 9899 2421
TEL: (852)2607 1168 FAX: 2607 1000
TEL: (86)20 84350603 FAX: 20 84359181
TEL: (86)21 6272 7502 FAX: 21 6272 6929
TEL: (82)2 2630 4800 FAX: 2 2630 4801
TEL: (886)2 8227 6900 FAX: 2 8227 6818
TEL: (66)2 322 2471 FAX: 2 322 2477 |
|--|--|---|--|

Caution for safety use: Before use of pump, read instruction manual carefully to use the product correctly. Actual pumps may differ from the photos. Specifications and dimensions are subject to change without prior notice. For further details please contact us.

Legal attention related to export. Our products and/or parts of products fall in the category of goods contained in control list of international regime for export control. Please be reminded that export license could be required when products are exported due to export control regulations of countries. The posting and copying from this catalogue without permission is not accepted firmly.